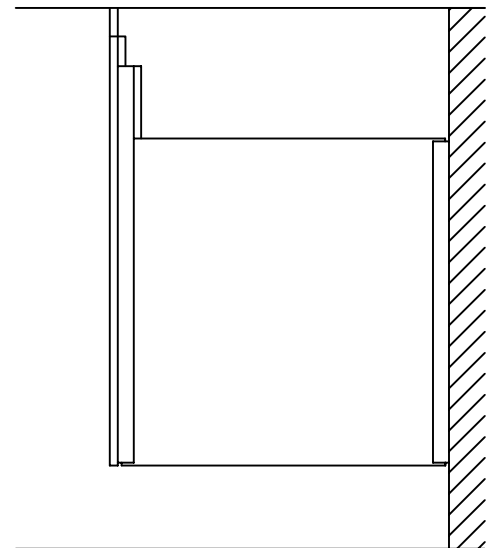
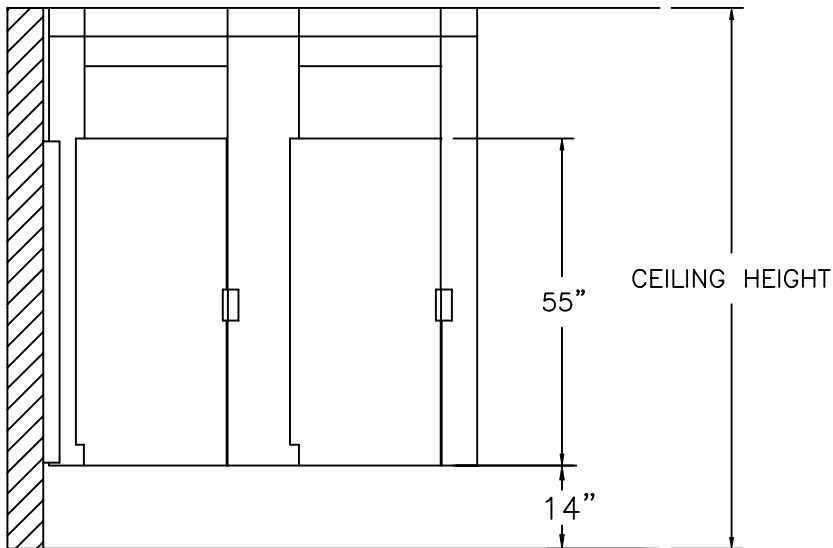
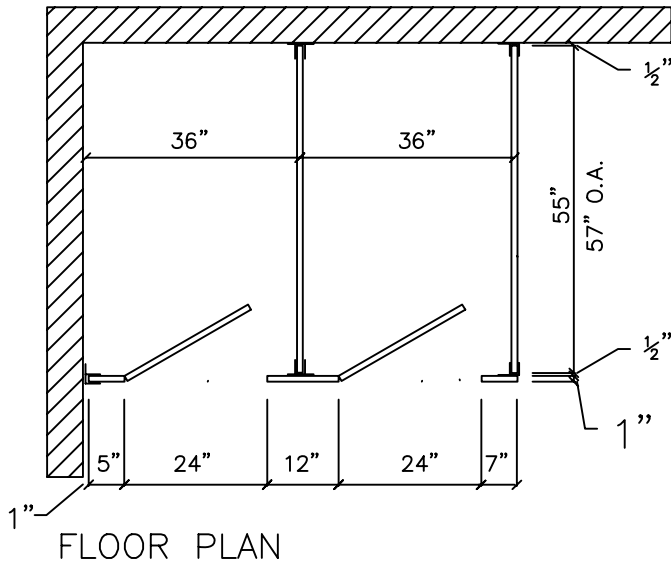
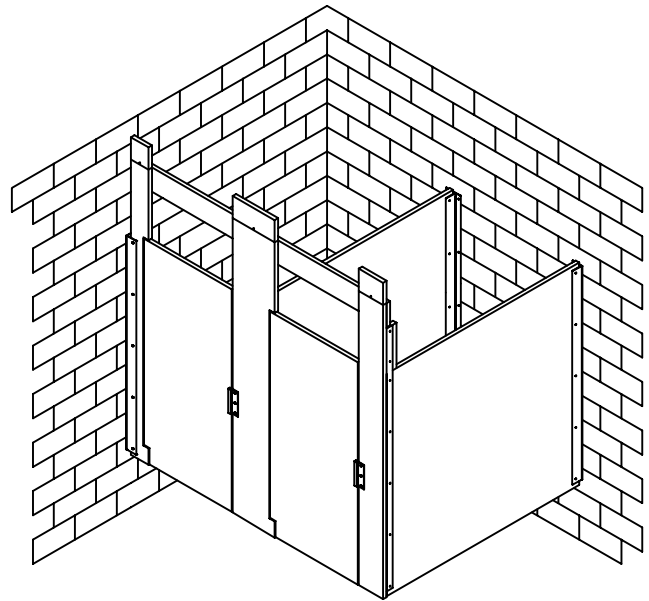


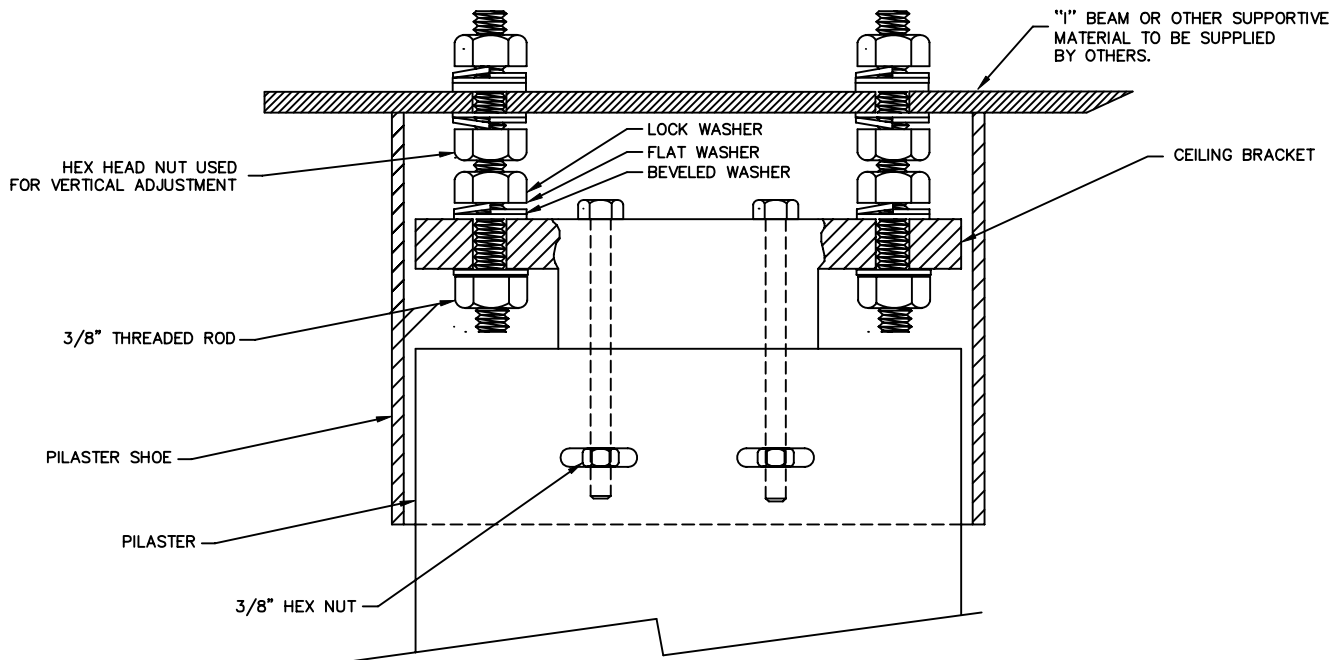
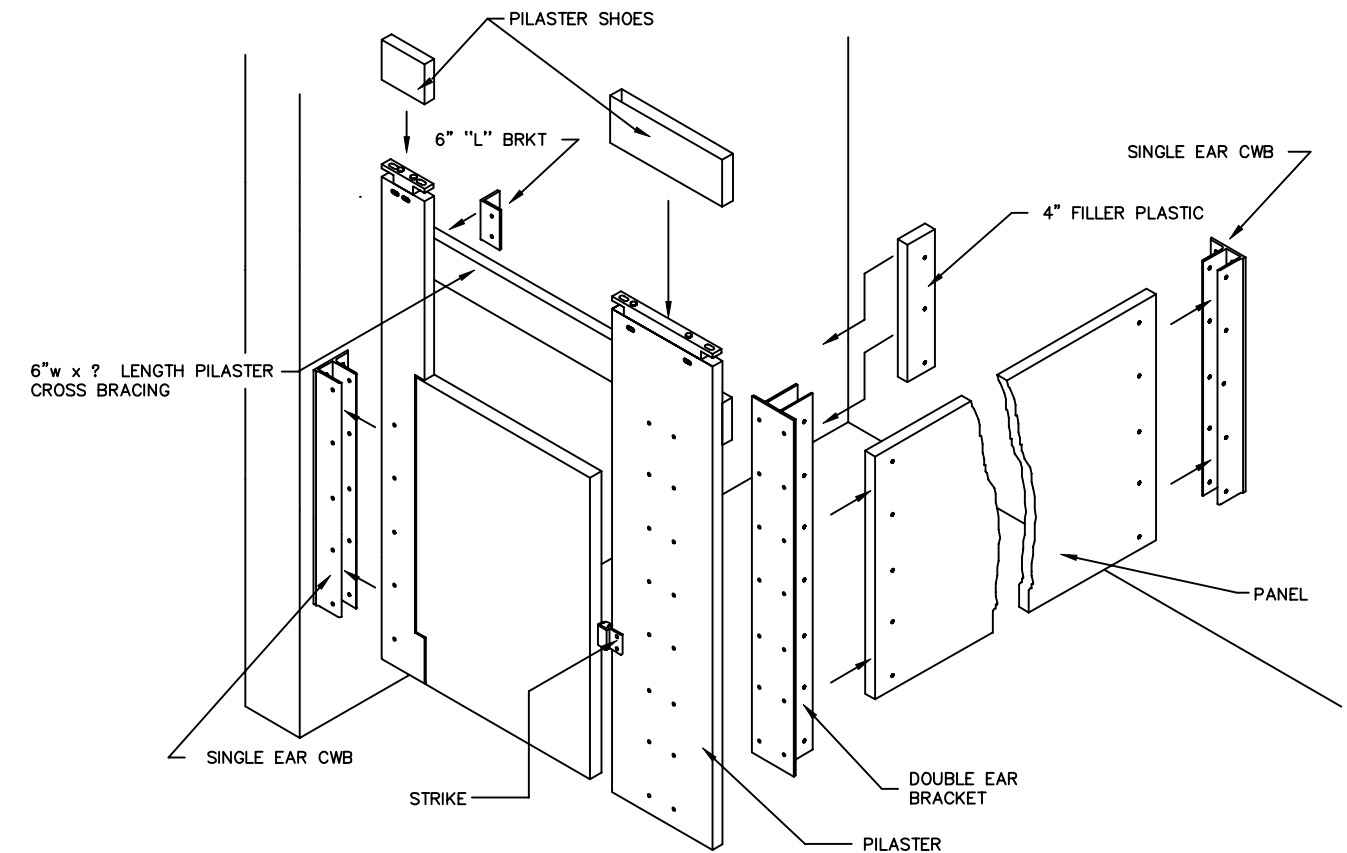
CEILING HUNG (STYLE "A")

CUSTOM SIZES AND LAYOUTS AVAILABLE TO ACCOMODATE FIELD CONDITIONS



P.O. Box 20, Dunmore, Pennsylvania 18512  
Phone: 1-800-969-0623 Fax: (570) 347-6225

CEILING HUNG (STYLE "A")



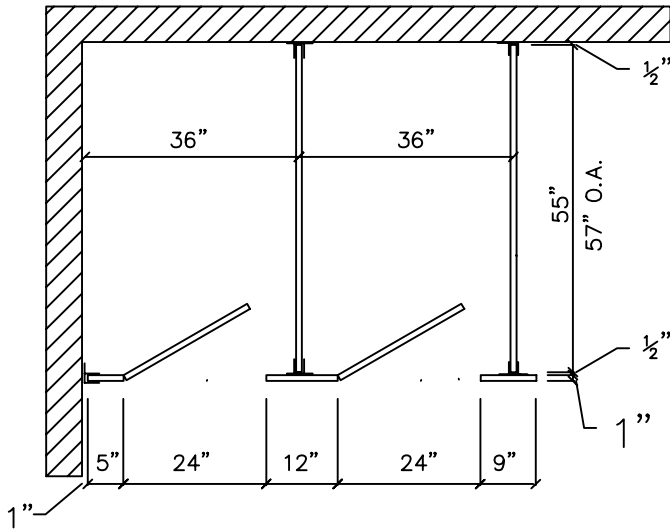
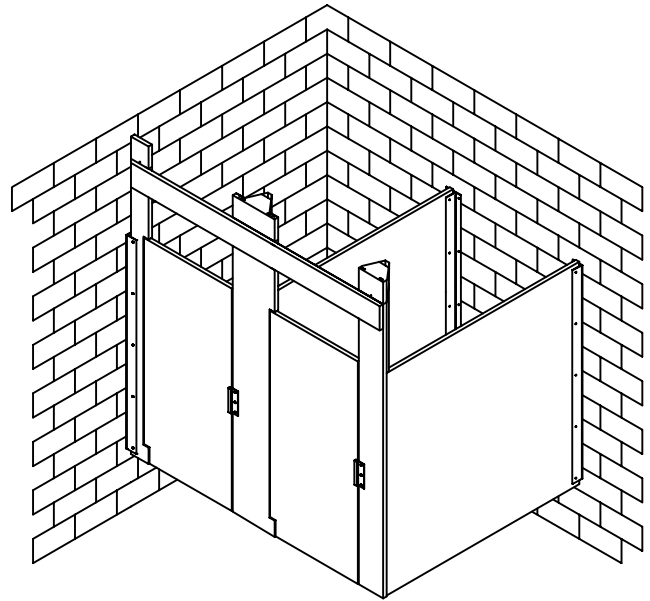
DETAIL "A"  
N T S

Direct Partitions & Lockers

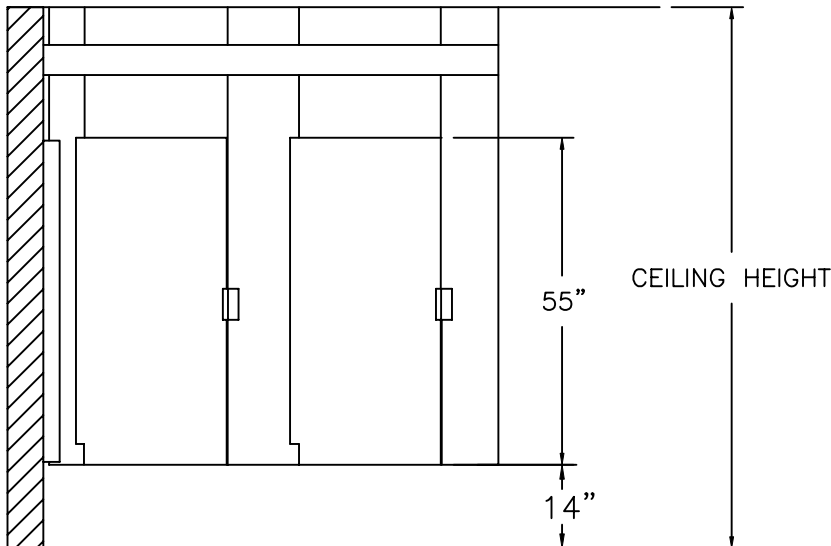
P.O. Box 20, Dunmore, Pennsylvania 18512  
Phone: 1-800-969-0623 Fax: (570) 347-6225

CEILING HUNG (STYLE "B")

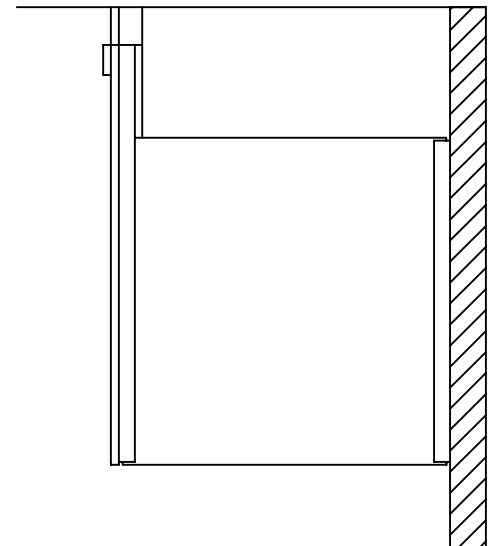
CUSTOM SIZES AND LAYOUTS AVAILABLE TO ACCOMODATE FIELD CONDITIONS



FLOOR PLAN



FRONT ELEVATION  
(MAXIMUM CEILING HEIGHT 120")

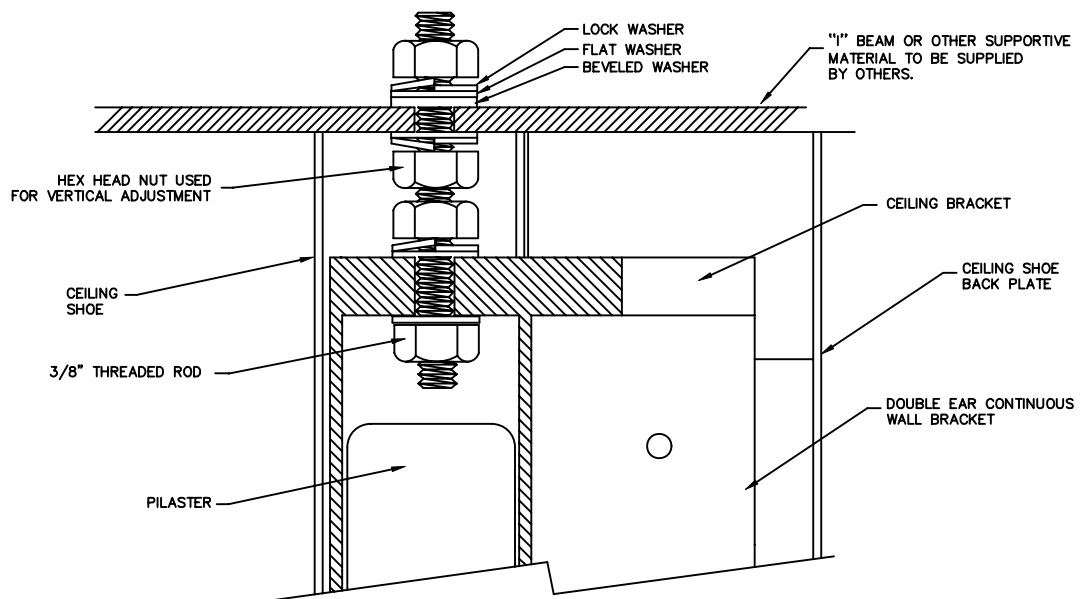
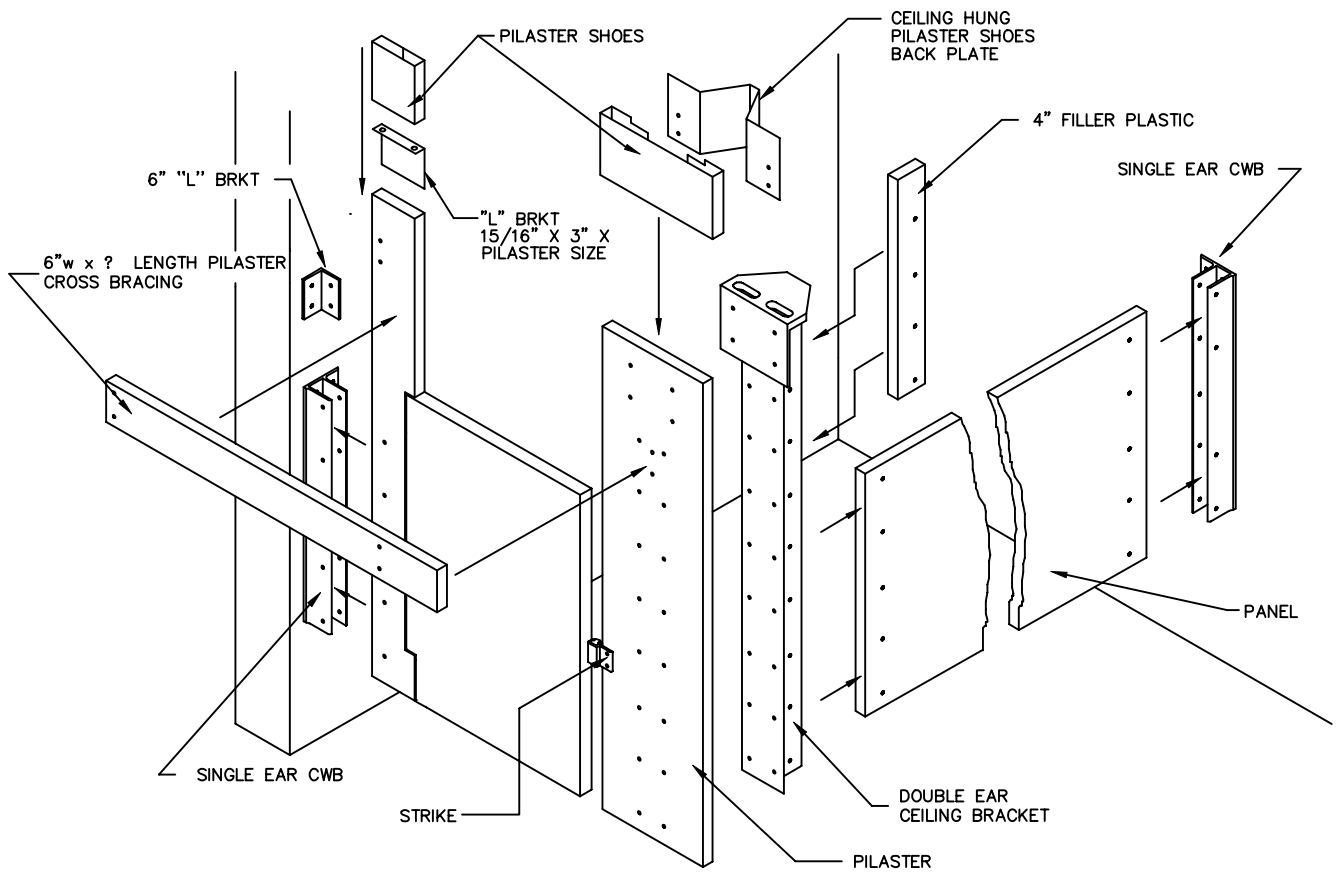


SIDE ELEVATION

Direct Partitions & Lockers

P.O. Box 20, Dunmore, Pennsylvania 18512  
Phone: 1-800-969-0623 Fax: (570) 347-6225

CEILING HUNG (STYLE "B")

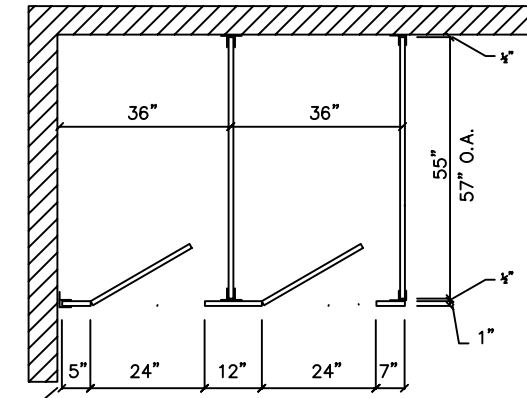


DETAIL "A"

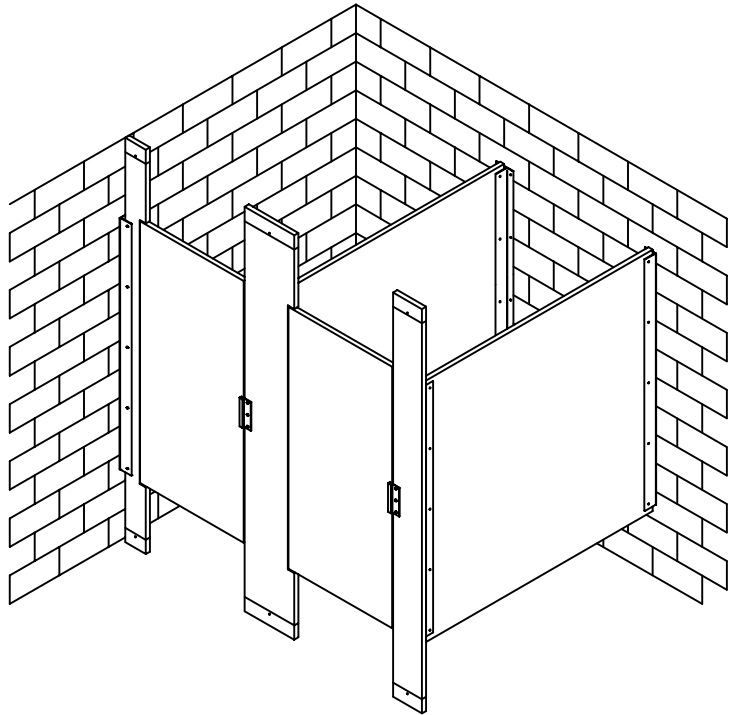
Direct Partitions & Lockers

P.O. Box 20, Dunmore, Pennsylvania 18512  
 Phone: 1-800-969-0623 Fax: (570) 347-6225

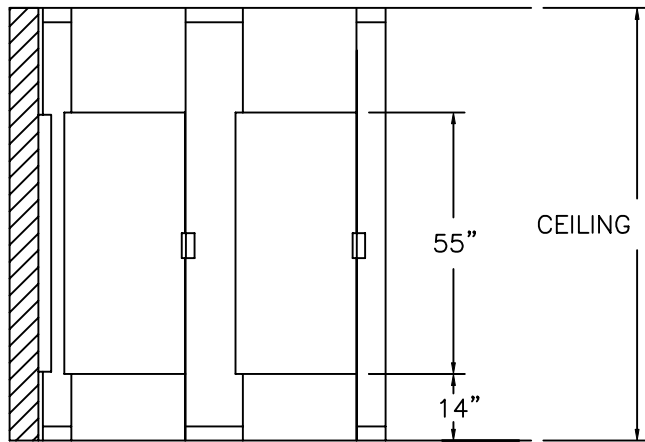
FLOOR TO CEILING



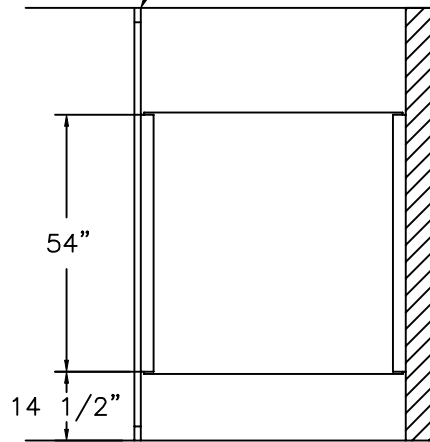
FLOOR PLAN



BLOCKING REQUIRED AT CEILING



FRONT ELEVATION

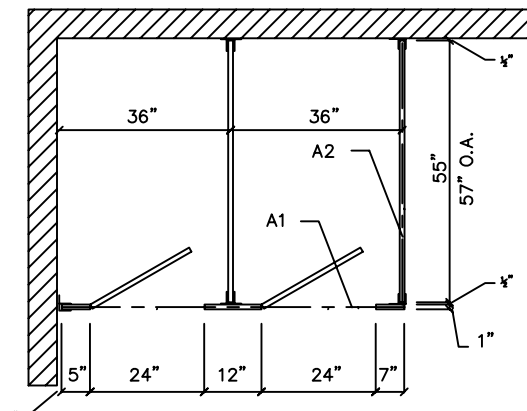
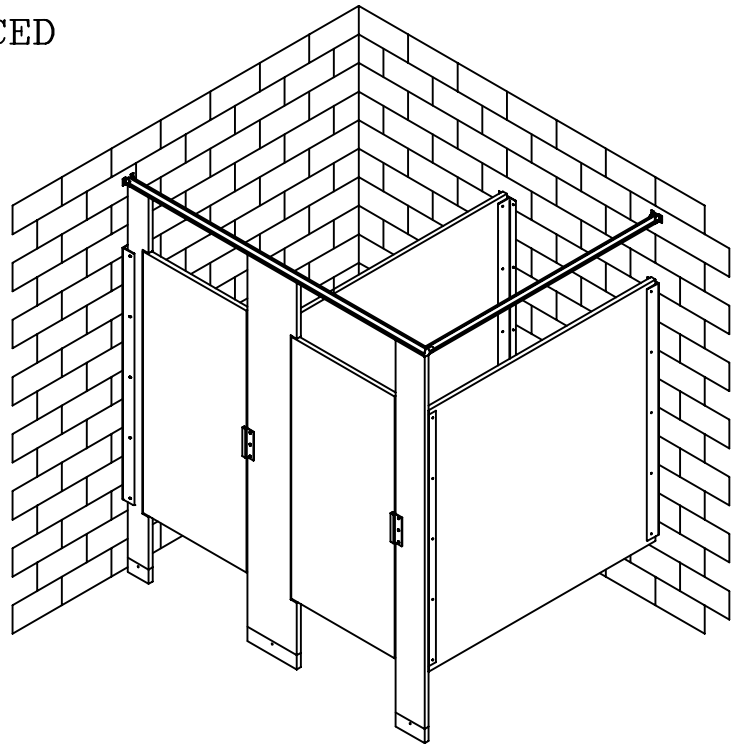


SIDE ELEVATION

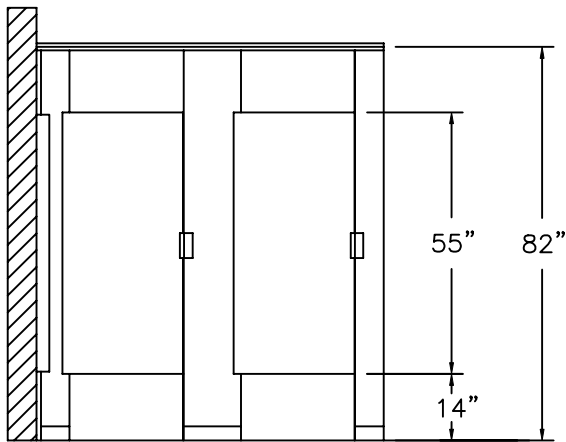
Direct Partitions & Lockers

P.O. Box 20, Dunmore, Pennsylvania 18512  
Phone: 1-800-969-0623 Fax: (570) 347-6225

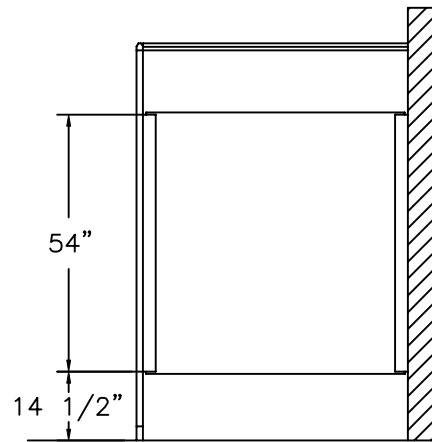
FLOOR MOUNTED OVERHEAD BRACED



FLOOR PLAN



FRONT ELEVATION



SIDE ELEVATION

Direct Partitions & Lockers

P.O. Box 20, Dunmore, Pennsylvania 18512  
Phone: 1-800-969-0623 Fax: (570) 347-6225