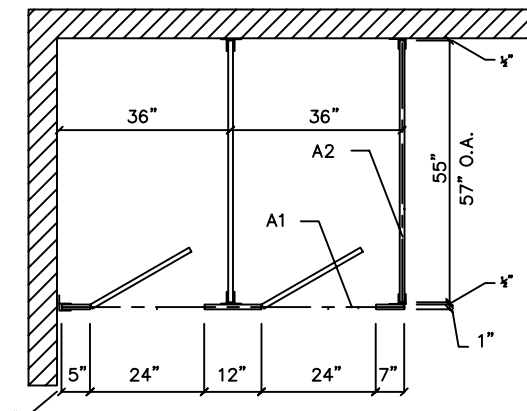
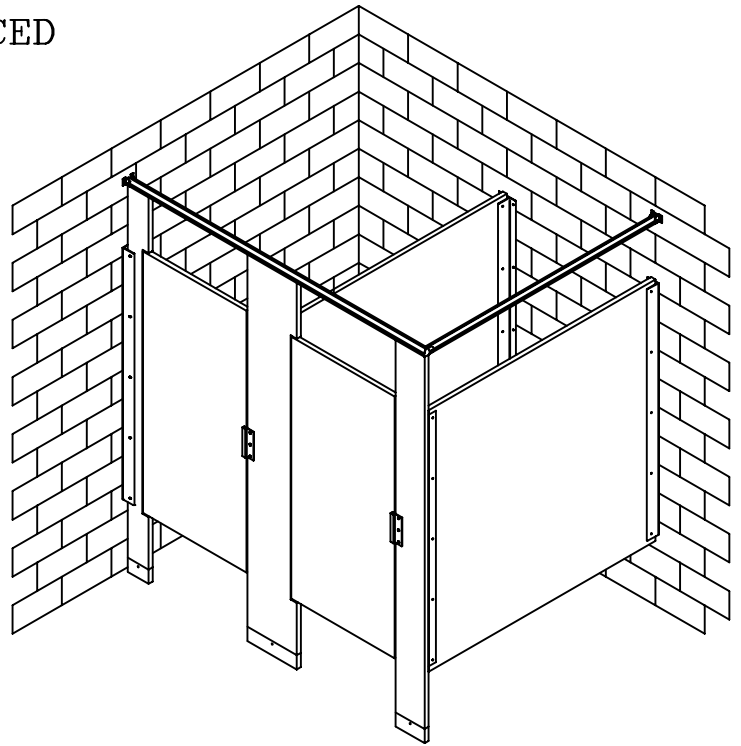
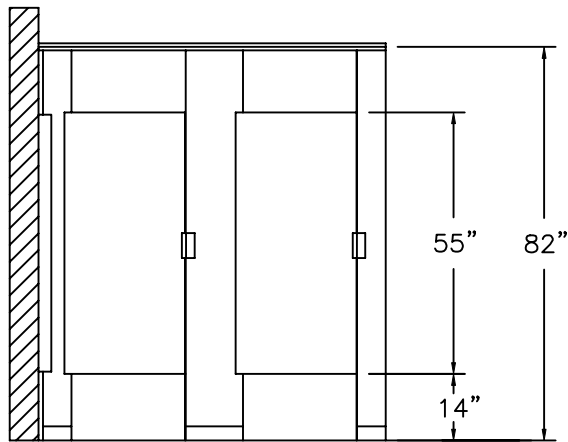


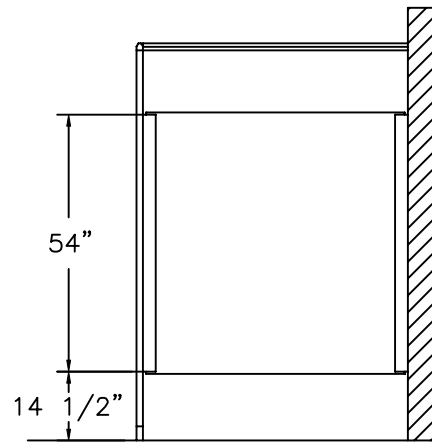
FLOOR MOUNTED OVERHEAD BRACED



FLOOR PLAN



FRONT ELEVATION



SIDE ELEVATION

Direct Partitions & Lockers

P.O. Box 20, Dunmore, Pennsylvania 18512
Phone: 1-800-969-0623 Fax: (570) 347-6225